

Xpelair Premier DX100

100mm (4") axial extract fans



Key Features

- Single speed 100mm (4") axial extract fans
- Maximum fan performance 21 l/s
- Lubricated for life motors with thermal cut-out protection
- Clip-off front cover for ease of cleaning
- IPX5 rated

Models

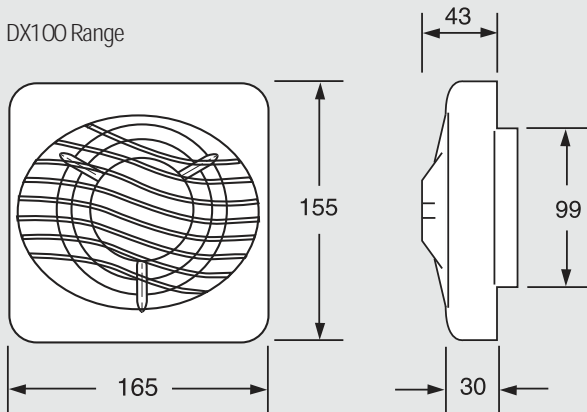
XPEDX100

Single speed axial unit | Operated by a remote switch or sensor

The Range

A stylish, compact and easy to install single speed fan. Suitable for a wide range of applications including bathrooms, shower rooms and toilets. Comes complete with a universal mounting kit (wall tube, gasket x2, outer grille and skirt moulding for window). Suitable for wall, ceiling or window mounting (in single glazing up to 6mm) applications. The DX range includes an air operated backdraught shutter, outer grille and ducting. All models are IPX5 rated.

DX100 Range



Product Selector

	DX100
Reference number	90839AW
Max. air flow (FID, m ³ /h)	76
Max. air flow (FID l/s)	21
Sound pressure level (dB(A)@ 3m)	35
Electrical power rating (W)	12
IP rating	IPX5
Universal mounting kit	■
Weight (kg)	1.2
Guarantee (years)	1